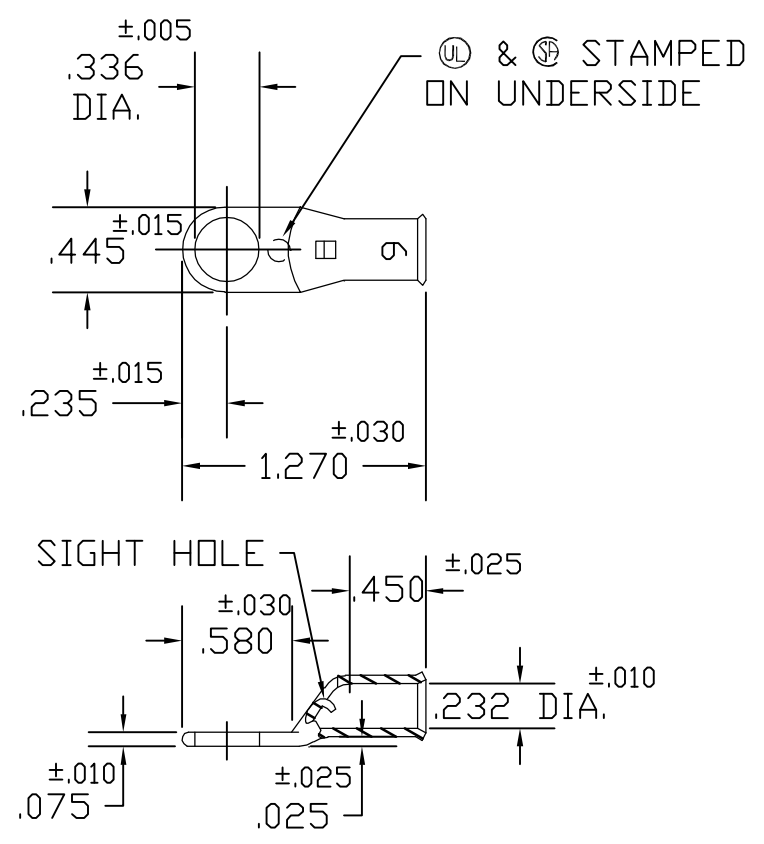


THIS DRAWING IS UNPUBLISHED. RELEASED FOR PUBLICATION  
 © COPYRIGHT - BY TYCO ELECTRONICS CORPORATION. ALL RIGHTS RESERVED.

LOC	DIST	REVISIONS					
		P	LTR	DESCRIPTION	DATE	DWN	APVD
G	50		C1	REVISED PER ECR-06-008318	27APR06	HMR	JR



ACTIVE	6561-03-R	SMALL PACK	TIN PLATE	8-1526174-2
ACTIVE	6561-03	STANDARD	TIN PLATE	1526174-2
ACTIVE	6561-02	STANDARD	PLAIN	1526174-1
STATUS	AET P/N	PACKAGING	FINISH	PART NUMBER

THIS DRAWING IS A CONTROLLED DOCUMENT.		DWN D.A.A.	10/30/00	Tyco Electronics Corporation Harrisburg, PA 17105-3608	
DIMENSIONS: INCHES		CHK H.D.F.	10/30/00		
		APVD H.D.F.	10/30/00	NAME 6 STANDARD TERMINAL W/SIGHT HOLE	
TOLERANCES UNLESS OTHERWISE SPECIFIED: 0 PLC $\pm -$ 1 PLC $\pm -$ 2 PLC $\pm -$ 3 PLC $\pm -$ 4 PLC $\pm -$ ANGLES $\pm -$		PRODUCT SPEC	-		RESTRICTED TO
MATERIAL COPPER ASTM B-152		FINISH	-		SCALE
		WEIGHT	-		SIZE
		CUSTOMER DRAWING		CAGE CODE	REV
		A3 00779		DRAWING NO	C-1526174
		SCALE 1:1		SHEET 1 OF 1	REV C1